



RAYCHEM

TE Internal #: 4478853001

Hook Up Wire, FlexLite, 600V Voltage Rating, Tin-Plated Copper, 22 AWG Wire Size, .35 mm<sup>2</sup> Wire Size, Operating Temperature Range -65 – 150 °C

[View on TE.com >](#)

Wire & Cable > Hook Up Wire



Cable Type: **FlexLite**

Voltage Rating: **600 V**

Wire & Cable Insulation Material: **Radiation-Crosslinked, Modified Polyalkene**

Conductor Material: **Tin-Plated Copper**

Wire Size: **22 AWG**

**Features**

**Product Type Features**

Product Type	Wire
Product Classification	Wire - Commercial
Cable Style	Primary, Stranded

**Configuration Features**

Number of Conductors	1
Number of Strands	19

**Electrical Characteristics**

Resistance (Max)	56.1 Ω/1000 ft @ 68°F
Voltage Rating	600 V

**Body Features**

Weight	4.14 kg/km
Wire & Cable Insulation Material	Radiation-Crosslinked, Modified Polyalkene
Conductor Material	Tin-Plated Copper
Wire Color (Base)	Blue

**Dimensions**

Conductor Size	.35 mm <sup>2</sup>
Wire Diameter	1.02 mm[.04 in]



Overall Outside Diameter	1.21 mm[.048 in]
Overall Outside Diameter Range	1.06 – 1.21 mm[.042 – .048 in]
Conductor Diameter	.75 mm[.03 in]
Conductor Diameter Range	.7 – .8 mm[.027 – .031 in]
Strand Size	34 AWG
Wire Size	.35 mm <sup>2</sup>

**Usage Conditions**

Cable Type	FlexLite
Operating Temperature Range	-65 – 150 °C

**Product Compliance**

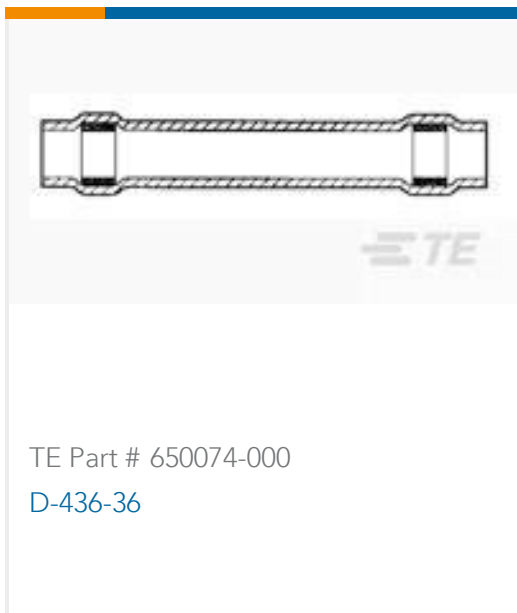
[For compliance documentation, visit the product page on TE.com>](#)

EU RoHS Directive 2011/65/EU	Compliant
EU ELV Directive 2000/53/EC	Compliant
China RoHS 2 Directive MIIT Order No 32, 2016	No Restricted Materials Above Threshold
EU REACH Regulation (EC) No. 1907/2006	Current ECHA Candidate List: JUNE 2023 (235) Candidate List Declared Against: JUNE 2023 (235) Does not contain REACH SVHC
Halogen Content	Out of Scope - excluded from Halogen requirements
Solder Process Capability	Not applicable for solder process capability

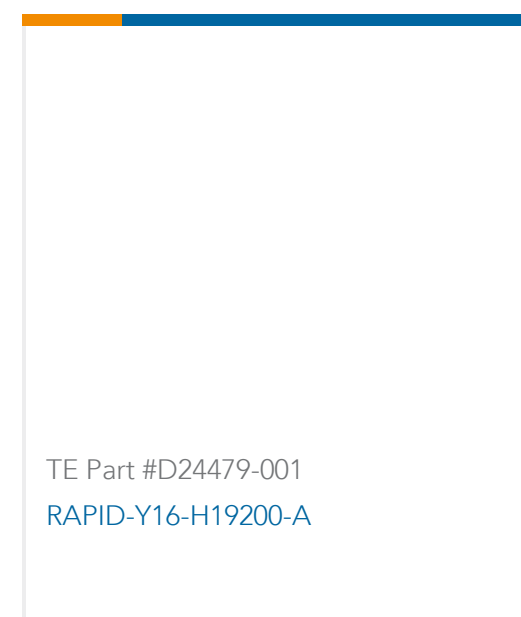
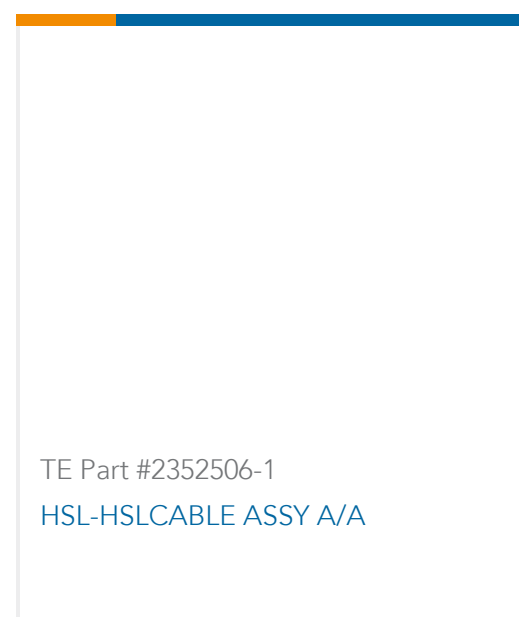
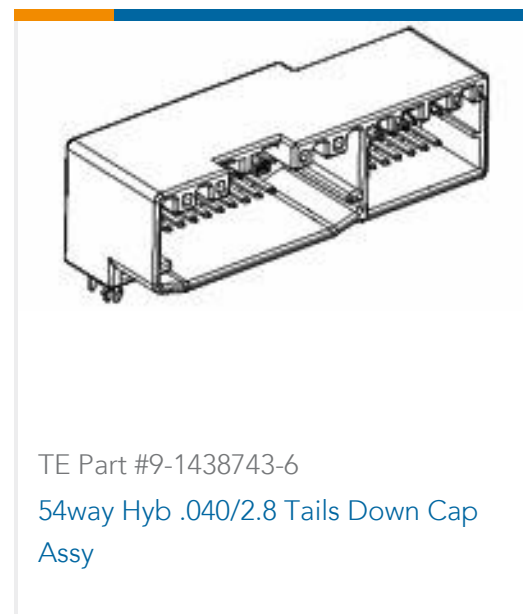
**Product Compliance Disclaimer**

This information is provided based on reasonable inquiry of our suppliers and represents our current actual knowledge based on the information they provided. This information is subject to change. The part numbers that TE has identified as EU RoHS compliant have a maximum concentration of 0.1% by weight in homogenous materials for lead, hexavalent chromium, mercury, PBB, PBDE, DBP, BBP, DEHP, DIBP, and 0.01% for cadmium, or qualify for an exemption to these limits as defined in the Annexes of Directive 2011/65/EU (RoHS2). Finished electrical and electronic equipment products will be CE marked as required by Directive 2011/65/EU. Components may not be CE marked. Additionally, the part numbers that TE has identified as EU ELV compliant have a maximum concentration of 0.1% by weight in homogenous materials for lead, hexavalent chromium, and mercury, and 0.01% for cadmium, or qualify for an exemption to these limits as defined in the Annexes of Directive 2000/53/EC (ELV). Regarding the REACH Regulation, the information TE provides on SVHC in articles for this part number is based on the latest European Chemicals Agency (ECHA) 'Guidance on requirements for substances in articles' posted at this URL: <https://echa.europa.eu/guidance-documents/guidance-on-reach>

**Compatible Parts**



## Customers Also Bought



## Documents

### Product Drawings

[FLT0111-0.35-6](#)

English

### Datasheets & Catalog Pages

[1654025\\_Sec9\\_FlexLite](#)

English